

# S205 Product Brief

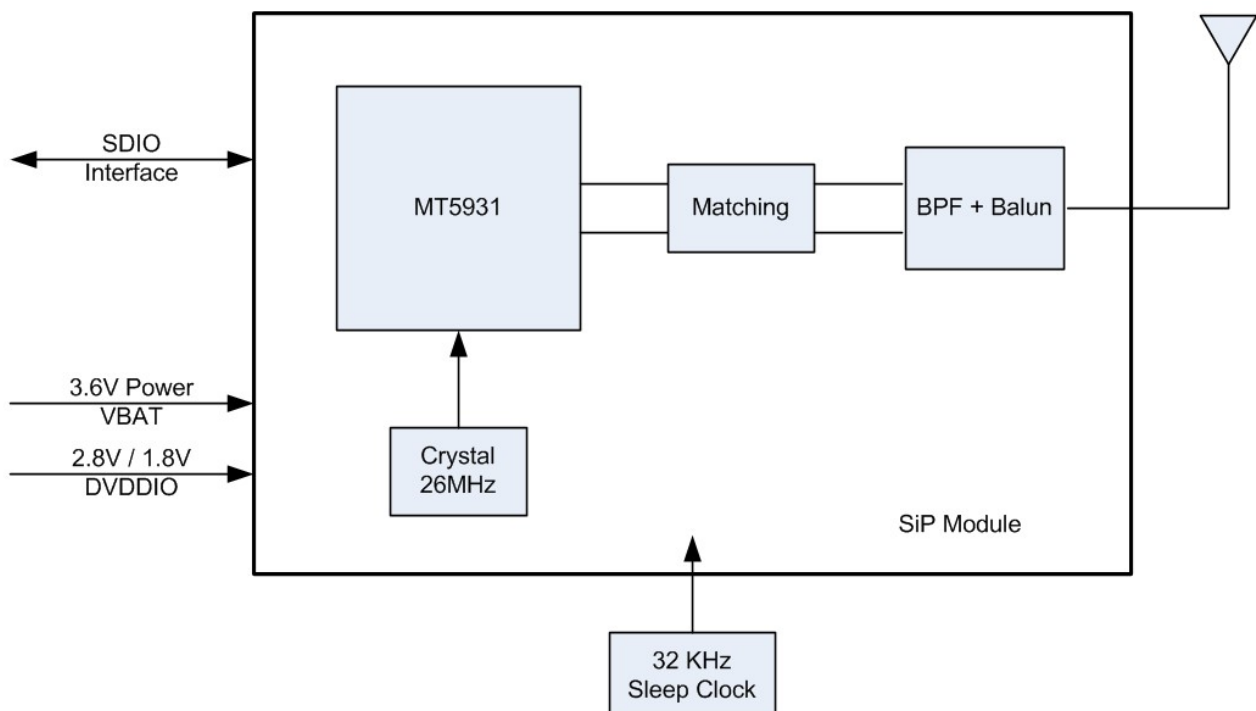
For the latest data sheet, please visit [www.sunnywale.com](http://www.sunnywale.com)

## Wi-Fi SiP module 802.11b/g/n

### FEATURE

- Small footprint : 9.0 mm X 9.0 mm X 1.8 mm
- Host interface : SDIO 2.0 (4-bit & 1-bit),
- Support Orthogonal Frequency Division Multiplexing(OFDM), Complementary Code Keying(CCK), and Direct Sequence Spread Spectrum(DSSS) to provide a variety of data rates
- Integrated switching regulator enables direct connection to battery
- Support AP/STA/ad-hoc mod
- IEEE 802.11n(HT20 MCS7), IEEE 802.11g (OFDM 54Mbps) and IEEE 802.11b (DSSS 11Mbps)
- Support Wi-Fi Direct (WFA P-2-P Standard)
- Security: WFA WPA/WPA2 personal, WPS2.0, WAPI (Hardware)
- QoS: WFA WMM, WMM PS
- Support Bluetooth co-existence
- Support low power consumption sleep mode via 32 kHz clock
- 26MHz crystal embedded
- RoHS compliant / Lead free
- OS support: Android, Windows Mobile, Linux, Symbian

### S205 Block Diagram



The AcSiP S205 is a low-cost and low-power consumption WiFi SiP module. The module is targeted to mobile devices including smart phone, PDA, WiFi phone, DSC, DVC which need small WiFi module. The highly integrated module allows the usage of web browsing, VoIP application.

The wireless SiP module support IEEE 802.11b/g/n standard and it can provide up to 72Mbps (GI=400ns) for IEEE 802.11n, 54Mbps for IEEE 802.11g, 11Mbps for 802.11b to connect your wireless LAN.

Technical Specifications	
Product Description	Wi-Fi SiP
Network Standard	IEEE 802.11b/g/n Compliant
Host Interface	SDIO 2.0 (4-bit & 1-bit),
Operating Voltage	3.6V/1.8V/2.8V
Temperature	Operating: -20°C ~ 70°C    Storage: -40°C ~ 85°C
Humidity	Operating:10 ~ 95% (Non-Condensing) Storage:5 ~ 95% (Non-Condensing)
Dimension	9.0mm X 9.0mm X 1.8mm
Package	LGA
Frequency	2.4GHz ISM radio band
Channel	1~14
Modulation	DSSS, OFDM, 64-QAM, 16QAM, QPSK, BPSK, CCK, DQPSK, DBPSK
Security	WFA WPA/WPA2 personal, WPS2.0, WAPI (Hardware)
Operation System	Android, Windows Mobile, Linux, Symbian
Co-existence	BlueTooth and Cell Phone Co-existence

Sales: Shenzhen Sunnywale Inc, [www.sunnywale.com](http://www.sunnywale.com) , awin@sunnywale.com , Wechat: 9308762